



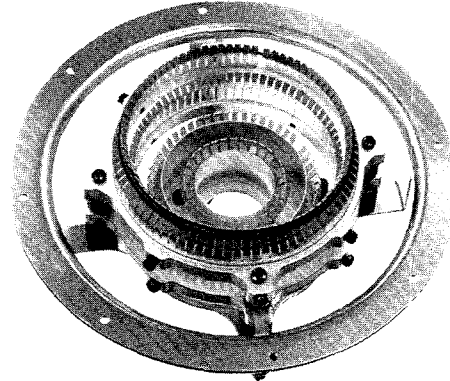
TECHNICAL DATA

SK-340 AIR-SYSTEM SOCKET

The EIMAC SK-340 Air-System Socket is recommended for use at frequencies up to 30 MHz with the listed tube types. The socket is an improved version of the now obsolete SK-300, with significantly lower pressure drop at the air-flow rates used with these tube types. EIMAC Air-system chimneys are available as shown below.

Cooling air passes through the socket and is then guided to the anode cooling fins of the air-cooled tubes by the air chimney, thus assuring cooling of the socket contact fingers, the base of the tube, the tube envelope and then the anode.

For VHF applications the SK-350 socket should be used.



BASE CONNECTION

The SK-340 Air-System Socket consists of four concentric rings of spring-finger contacts. The socket is provided with two filament connectors, each with a 1/4-inch diameter hole for making connection to the inner and outer filament contacts. One 6-32 stud terminal is provided for dc connection to the screen grid. The rf connection to the screen grid may be made directly to the contact collet by means of four 6-32 tapped holes. Four 6-32 tapped holes are also provided for making connection to the control grid. The four contact rings (collet assemblies) are shown on the outline drawing.

MAXIMUM WORKING VOLTAGE

Screen Grid	3000 Vdc
Control Grid	3000 Vdc

MATERIALS AND FINISHES

The socket body is made from silver plated brass. The contact fingers in the four collets are non-ferrous beryllium copper spring alloy, heat treated for spring action and silver plated for good rf conductivity. The insulation materials are Teflon® and ceramic.

INSTALLATION

The SK-340 Air-System Socket can be mounted on a chassis deck, partition or in a pressurized compartment. Chassis mounting is accomplished by cutting a 7-3/16" (18.25 cm) diameter hole in the chassis deck or partition. The socket is then placed in the hole and fastened in place by eight 6-32 machine screws through the eight holes provided for fastening. The SK-340 is recommended for the tubes listed, with the chimney shown.

<u>Tube Type</u>	<u>Chimney</u>
4CX3500A	SK-306
4CX7500A	SK-346

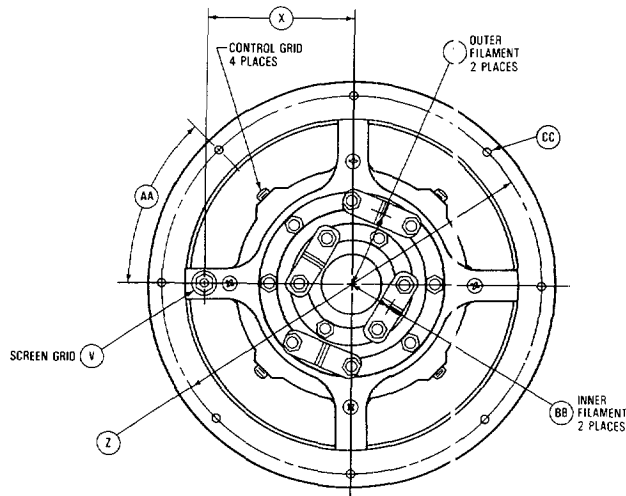
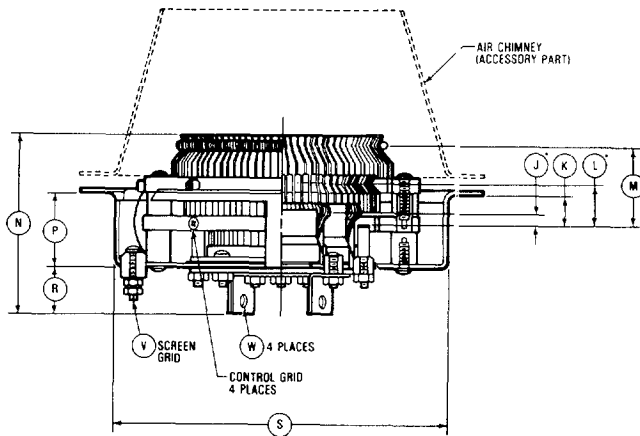
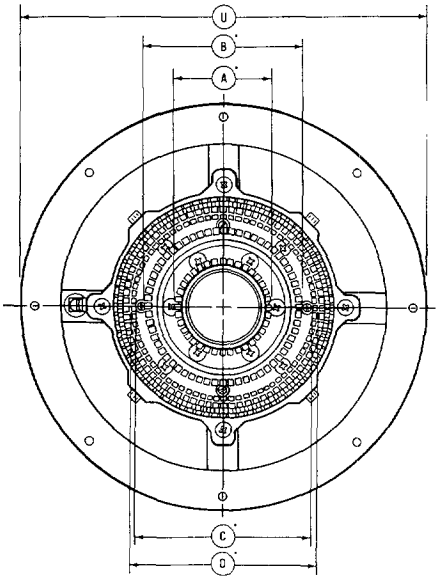
NET WEIGHT, SK-340 Air-System Socket (Approx) 3.3 lbs; 1.5 kg

MAINTENANCE PARTS

If repair or maintenance of the SK-340 is required the various component assemblies and parts are available. A cross-section drawing is included in this data sheet for replacement parts identification. The drawing is a view of the socket showing individual parts or assemblies with the EIMAC part number and the quantity of the item used in the socket.

PartsKit340 is available and contains the component parts listed at the right.

<u>Socket Part</u>	<u>Quantity</u>	<u>EIMAC P/N</u>
Inner Filament Collet Assy	1	001837
Outer Filament Collet Assy	1	001838
Bushing	1	154176
Teflon® Insulator	2	001820
Screen Grid Collet Spring	1	149297
Post Insulator	4	154819
Sleeve Insulator	4	154820
Screen Grid Collet	1	115740



DIM	INCHES			MILLIMETERS		
	MIN	MAX	REF	MIN	MAX	REF
A	2.001	2.061		50.82	52.35	
B	3.251	3.311		82.57	84.10	
C	3.672	3.732		93.27	94.79	
D	3.880	3.940		98.55	100.08	
J	0.200	0.280		5.08	7.11	
K	0.600	0.695		15.24	17.65	
L	0.765	0.854		19.43	21.69	
M	1.373	1.513		34.87	38.43	
N	3.327	3.477		84.50	88.31	
P	1.444	1.530		36.68	38.86	
R	0.887	0.963		22.53	24.46	
S	6.720	6.785		170.69	172.34	
U	8.220	8.266		208.79	209.96	
V	6-32 NC 2A STUD					
W	0.235	0.265		5.97	6.73	
X	3.000	3.030		76.20	76.96	
Y			1.575			40.00
Z	7.730	7.770		196.34	197.36	
AA	45° TYPICAL					
BB			0.950			24.13
CC	0.140	0.154		3.56	3.91	

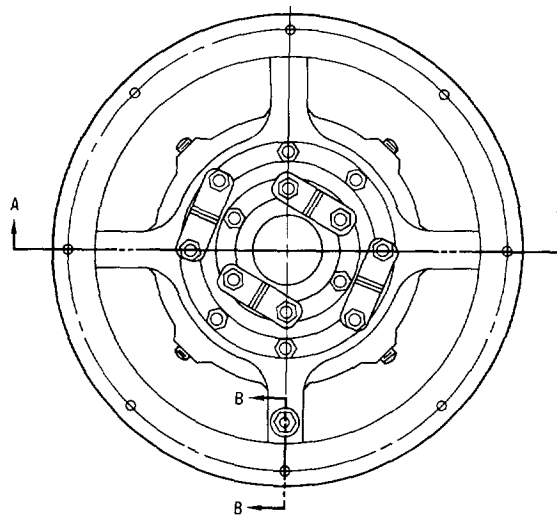
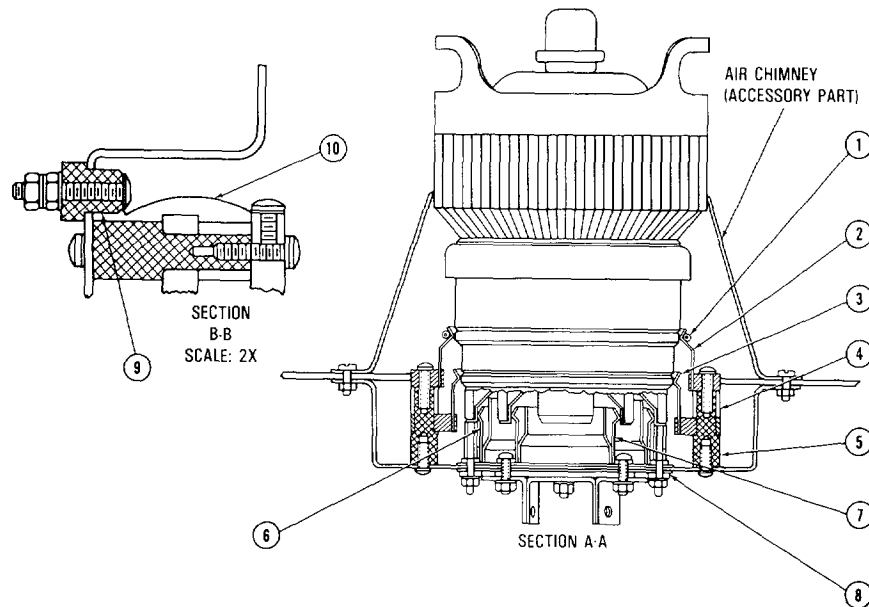
NOTES:

1. REF DIMENSIONS ARE FOR INFO ONLY & ARE NOT REQUIRED FOR INSPECTION PURPOSES.
2. TOLERANCES ARE NOT CUMULATIVE.
3. (*) CONTACT SURFACES.

REPLACEMENT PARTS FOR MAINTENANCE

SK-340

PART#	DESCRIPTION	QUANTITY	PART#	DESCRIPTION	QUANTITY
① 149297	COLLET SPRING	1	⑥ 001838	OUTER FILAMENT COLLET ASSY.	1
② 115740	SCREEN GRID COLLET ASSY.	1	⑦ 001837	INNER FILAMENT COLLET ASSY.	1
③ 115738	CONTROL GRID COLLET ASSY.	1	⑧ 001820	FILAMENT COLLET INSULATOR	2
④ 154820	SLEEVE INSULATOR	4	⑨ 154176	BUSHING	1
⑤ 154819	POST INSULATOR	4	⑩ 154818	SCREEN CONTACT CONN.	1



CROSS-SECTION OF SK-340 SHOWING 4CX3500A WITH SK-306